

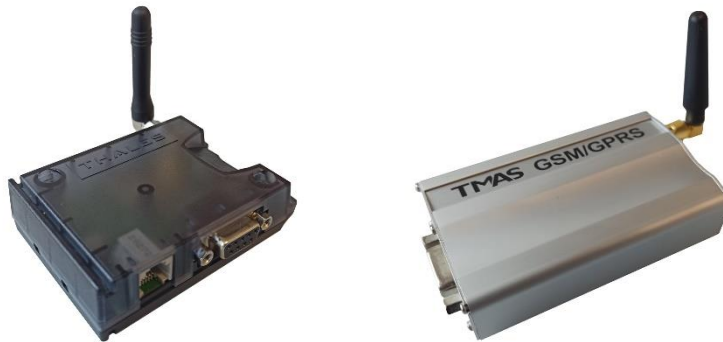


**[Quick installation guide GSM/3G/4G Modem]**



GSM-T61

3G-T61 / 4G-T61



EGX81-W 3G/4G/LTE

TMA-35i . 2G

**Technical data:**

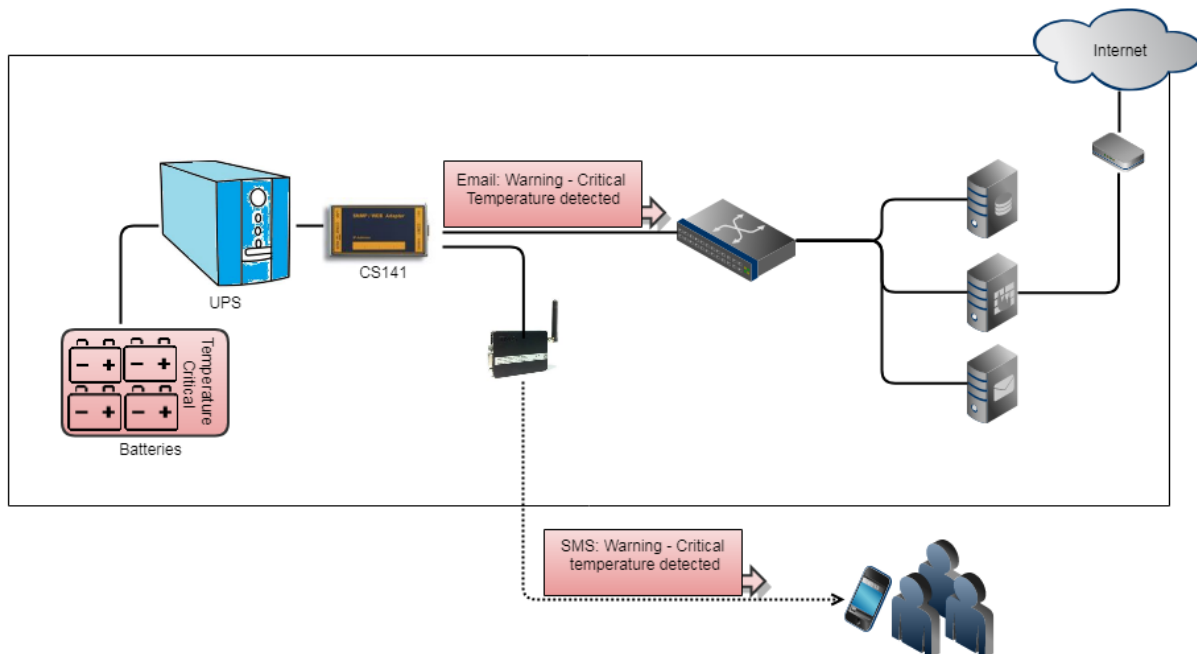
<b>GSM-T61</b>	
Voltage	12 – 15 VDC
Consumption:	30mA
Physical:	70 x 70 x 40 mm (L x B x H)
<b>3G-T61 / 4G-T61</b>	
Voltage	12 V
Consumption	50mA
Physical	70 x 70 x 40mm (L x B x H)
<b>EGX81-W 3/4G /LTE</b>	
Voltage :	5-36V VDC
Consumption:	50mA
Physical	80 x 56 x 22mm (L x B x H)

## Before you start

### How to use the GSM-Modem

SMS modems provide the ability to automatically notify responsible contact persons according to critical system events as an additional security measure:

The messages will be sent via SMS to greatly reduces the response time in case of upcoming-critical events



In company to other auxiliary devices, the GSM modem can be configured to custom events:

- Critical temperature values
- Door access controls or unauthorized entry
- Failure inside parent/child system process
- Activation / deactivation of emergency ventilation
- ...

Please note that a GSM modem is intended for sending short messages and is not designed to connect to the CS141 via the mobile network.

### Preparing a SIM-Card

There is no option to store access data for the SIM card inside the CS141 as well as inside the GSM modem in the CS141. Therefore, the SIM card must be configured to allow a dial-in without entering a PIN. The corresponding configuration guide for your SIM card can be obtained from your mobile service provider as well as from the operating instructions of the according mobile device.

### Insert / remove the SIM card

Once the SIM card for the GSM modem has been configured appropriately, it can be inserted into the modem.

Please note to insert the SIM card with the contacts upwards.

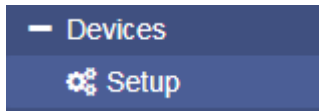
Insert the card using slight pressuring until it locks in place by a spring mechanism. For removing, press the SIM card to unlock this spring mechanism. The card pops out and can be removed without damaging internal contacts.

## How to connect the modem to the CS141 Webmanager / BACS Webmanager:

Connect the COM port of the modem to COM2 interface of the CS141 and plug in the power adapter.

### Setting up the GSM modem

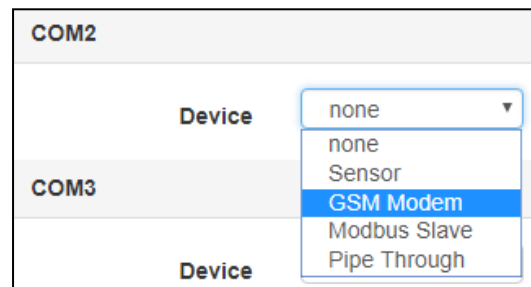
Serial connection type:



To set up, log in to the CS141:

Under Devices, open setup and proceed to basic the COM port setup

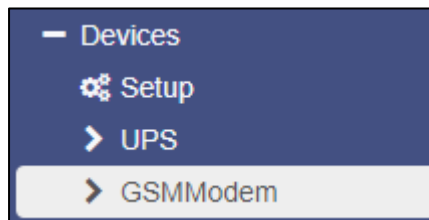
At COM2, select the GSM modem and then press Apply.



The GSM modem icon should appear in the upper bar and show the signal quality:



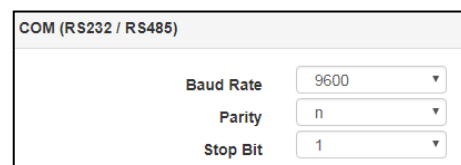
### GSM-Modems configuration options:



Once the necessary services have been started, the configuration menu "GSMModem" is accessible. Click on the main tab "Devices" to open the GSM modem configuration dialogue

Serial connection via the COM interface 2

If required, adjust the values for Baud-rate Parity and Stop Bit. Normally, the pre-configured default values can be used with any GSM-Modem.



**Exception: For the EGX81-W, configure a Baud Rate of 115200 to avoid communication lost.**

### SMS configuration dialog

As job select SMS:

The text field provides to enter a freeform customized text that will be sent as SMS.

Under Phone, the target cell phone number will be specified. Be sure to enter the mobile number without spaces.

timing allows to set when and how this message should be sent.

**Please note:**

Sending an SMS to custom cell phone numbers may lead into additional costs – please refer your SMS provider’s contract:

As an example, if you configure repeating message sending to 5 recipients every 60 seconds, the CS141 will send up to 300 SMS in a time of 60 minutes (5 messages per minute) as long as this event is active.

Save will copy the job to the power fail event job list and restart according services.

From now on, the job will be triggered in case of a power fail and send an SMS via the modem with a custom text. If several parties are to be informed, define a separate job for each mobile phone number.

### Events related to other devices

The events can be performed by any device connected to the CS141.

As an example, an SMS is triggered by an alarm system - a buzzer - because the relay has jumped to ON:

		Ereignis	Jobs	Log	E-Mail	E-Mail Trap	RCCMD Shutdown	RCCMD Nachricht	RCCMD Execute	RCCMD Shutdown	UPS	Buzzer	RCCMD Trap	Send WOL	Send SMS
>	<input type="checkbox"/> +	contains...	<input type="checkbox"/>												
>	<input type="checkbox"/> + <input type="checkbox"/>	Relais On	1	1	0	0	0	0	0	0	0	0	0	0	0
>	<input type="checkbox"/> + <input type="checkbox"/>	Relais Off	1	1	0	0	0	0	0	0	0	0	0	0	0
>	<input type="checkbox"/> + <input type="checkbox"/>	Buzzer On	1	1	0	0	0	0	0	0	0	0	0	0	0
>	<input type="checkbox"/> + <input type="checkbox"/>	Buzzer Off	1	1	0	0	0	0	0	0	0	0	0	0	0

Click + at the event RELAIS ON:

Under Job, select the service to start because the buzzer's relay has been triggered. In this case: Send SMS

Depending on your setting, a corresponding action will be triggered in addition to the triggered buzzer - both will be logged to the event log.

**Note:**

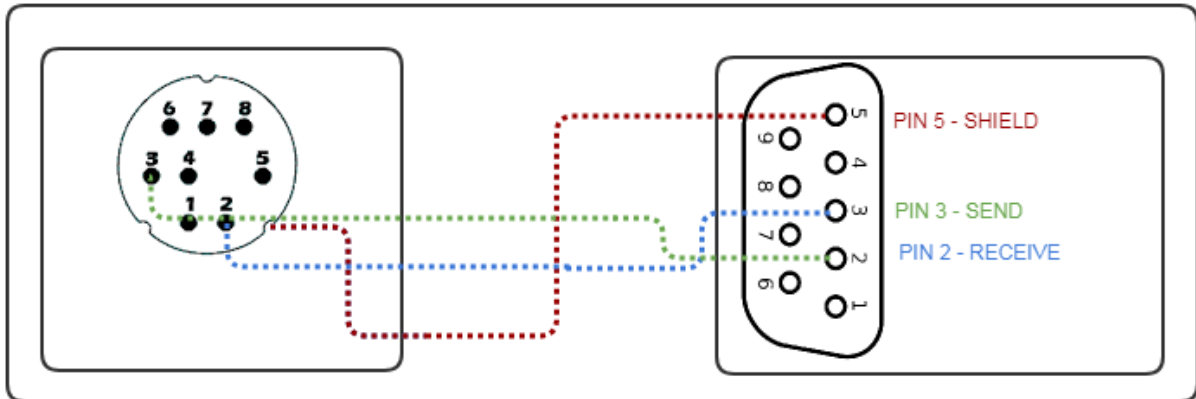
If available it is possible to select the BUZZER via other job events and external devices:

By doing so, a CON\_R\_AUX4 event job may trigger the buzzer and the buzzer will trigger the next event. It is possible define as many individual events and complete event chains including external dry contacts and complex full-automated notifications to any event.

**Appendix: Physical connection of the devices**

you may wish to configure your own cable:

make a Mini8-DSUB9 cable for the Siemens GSM TMA T35i Modem Please note: This are the female connections of the according devices:

**Note:**

To avoid problems during installation process, it is recommend to use the cables coming with your GSM modem delivery.